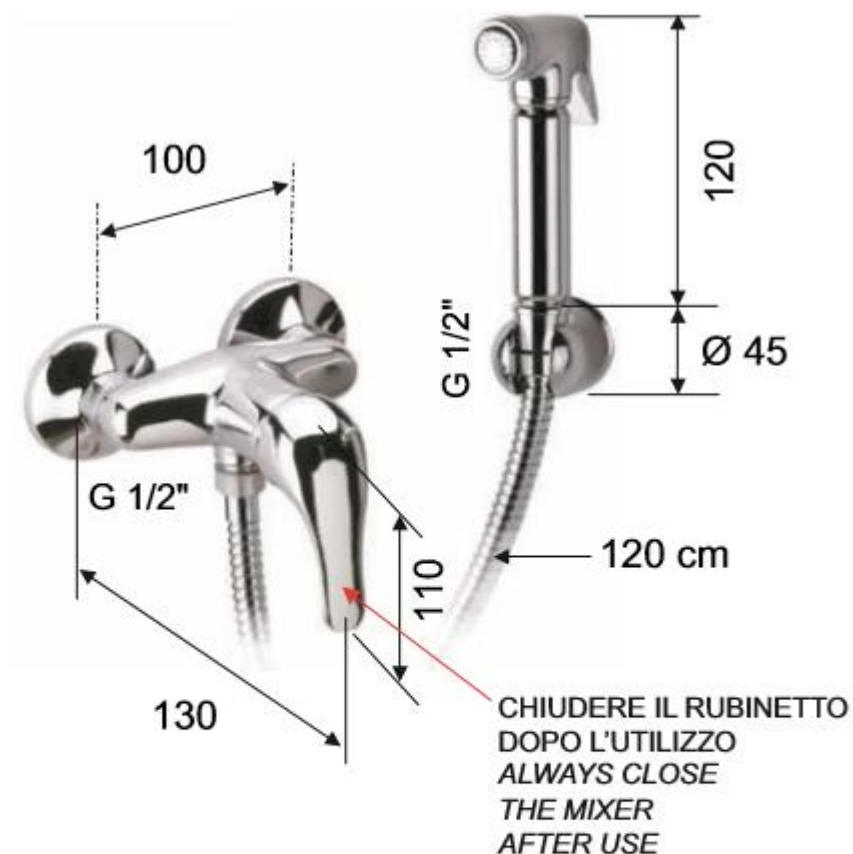


SCHEDA TECNICA / SPECIFICATIONS

Art. D903100



MATERIALI / MATERIALS

OTTONE CROMATO / CHROME PLATED BRASS

CROMATURA / CHROME PLATING

UNI EN 248