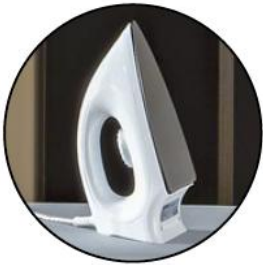


SCHEMA TECNICA / SPECIFICATIONS
 Art. FER01SET/FER02SET

IRONING CENTRE



CHOICE OF IRONS
 STEAM OR DRY



SLIDING BRACKET
 INCREASES IRONING AREA



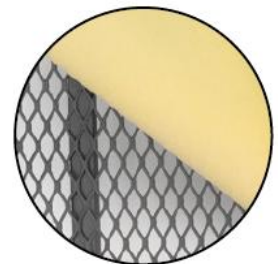
INTEGRATED HOOK
 TO HANG IN A WARDROBE



ANTI-THEFT DEVICE
 SECURES IRON



FOUR RUBBER FEET
 FOR ADDED STABILITY



MESH BOARD
 FOR STEAM FLOW



- Lightweight frame with 3 height positions
- Steam flow, mesh pattern ironing board
- Anti-theft device
- Heat-resistant iron holster
- Foam-lined, aluminised cover
- Drawstring cover
- Deck chair mechanism
- Durable powder coated legs
- Rubber-tipped feet
- Integrated cable tidy
- Fully Certified & CE Marked

Choice of irons available

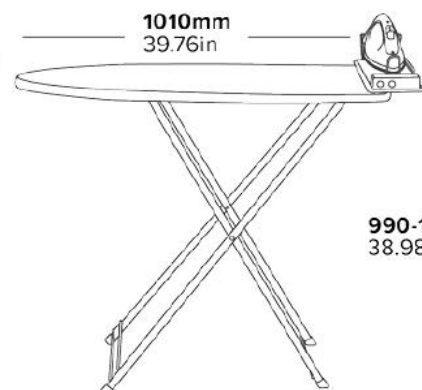
- Sherwood 1200W Steam Iron - White
- Sherwood 1200W Dry Iron - White



420mm
 16.54in

1250mm
 49.21in

340mm
 13.39in



1010mm
 39.76in

990-1110mm
 38.98-43.70in