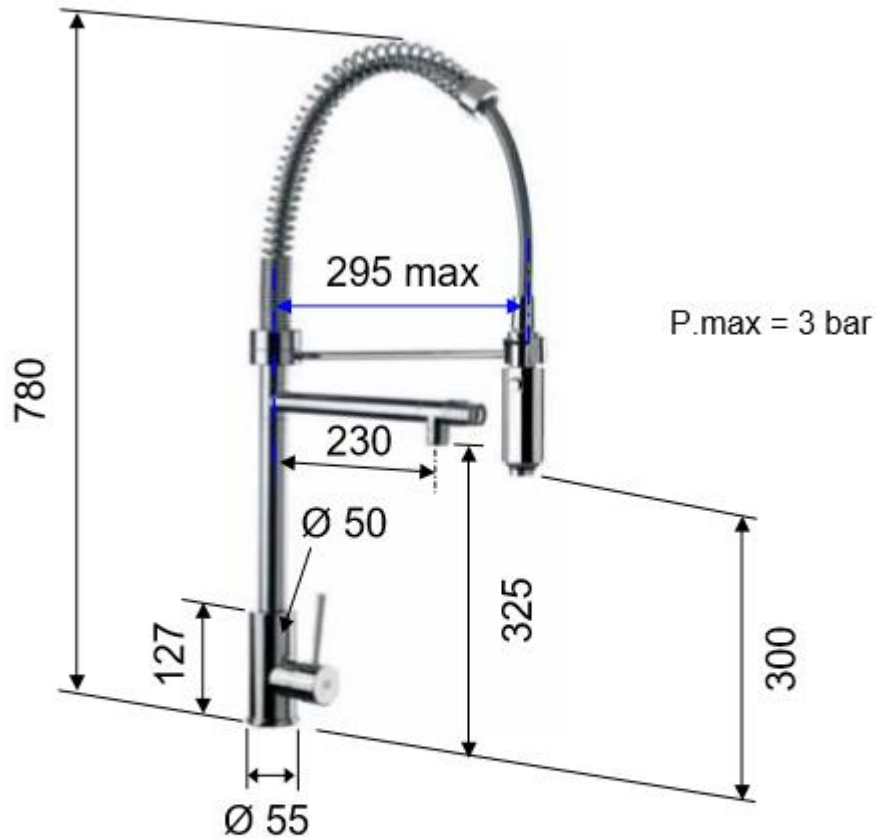


SCHEDA TECNICA / SPECIFICATIONS

Art. RC450



MATERIALI / MATERIALS

OTTONE CROMATO / CHROME PLATED BRASS
MOLLA IN ACCIAIO INOX / SPRING SPOUT IN STAINLESS STEEL

CROMATURA / CHROME PLATING

UNI EN 248