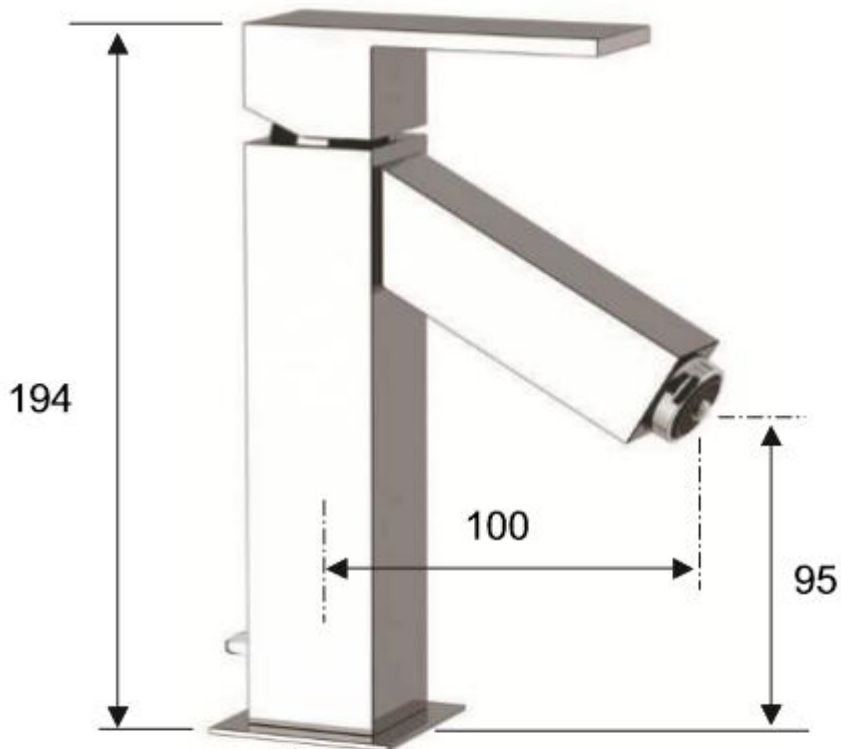


**SCHEMA TECNICA / SPECIFICATIONS**

Art. RM200LED



□ 46

**MATERIALI / MATERIALS**

OTTONE CROMATO / CHROME PLATED BRASS

**CROMATURA / CHROME PLATING**

UNI EN 248

COLOR  
  
LED LIGHT