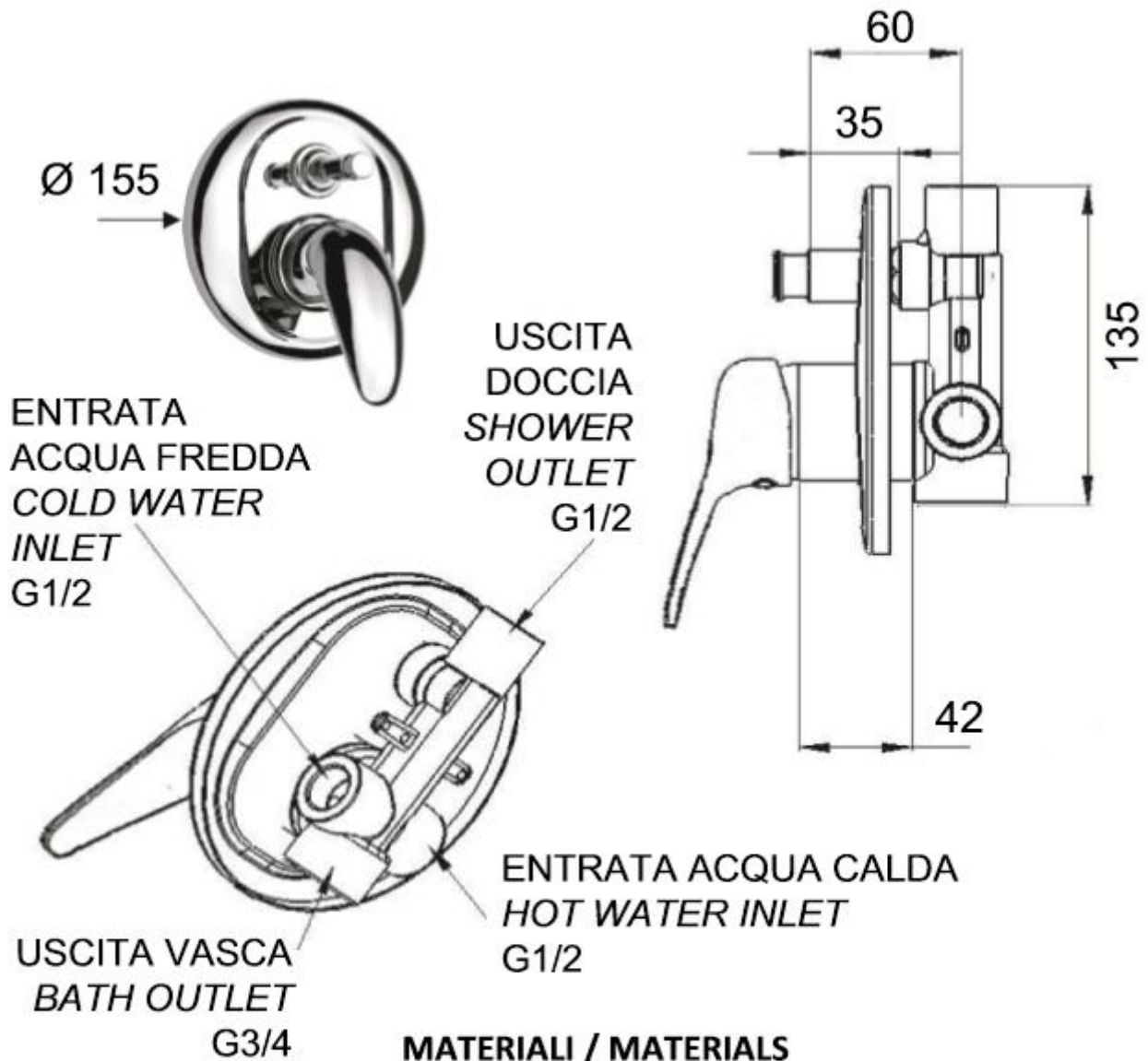


SCHEDA TECNICA / SPECIFICATIONS

Art.



OTTONE CROMATO / CHROME PLATED BRASS

CROMATURA / CHROME PLATING

UNI EN 248