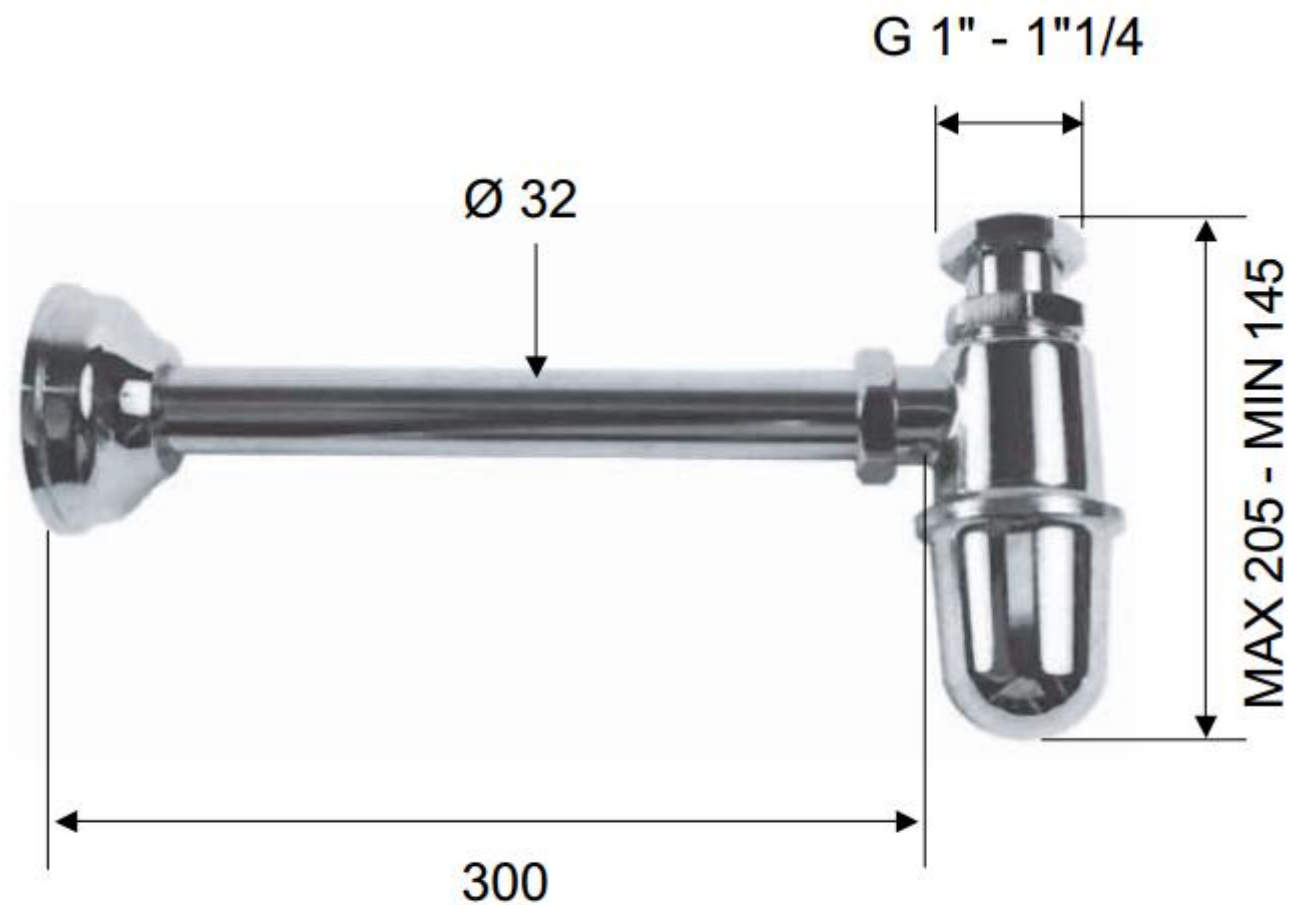


SCHEDA TECNICA / SPECIFICATIONS

Art. SF15



MATERIALI / MATERIALS

OTTONE CROMATO / CHROME PLATED BRASS